



Cambridge International AS & A Level

PHYSICS

9702/32

Paper 3 Advanced Practical Skills 2

May/June 2023

CONFIDENTIAL INSTRUCTIONS

This document gives details of how to prepare for and administer the practical exam.

The information in this document and the identity of any materials supplied by Cambridge International are confidential and must NOT reach candidates either directly or indirectly.

The supervisor must complete the report at the end of this document and return it with the scripts.

INSTRUCTIONS

- If you have any queries regarding these confidential instructions, contact Cambridge International stating the centre number, the syllabus and component number and the nature of the query.
email info@cambridgeinternational.org
phone +44 1223 553554

This document has **8** pages.

General information about practical exams

Centres must follow the guidance on science practical exams given in the *Cambridge Handbook*.

Safety

Supervisors must follow national and local regulations relating to safety and first aid.

Only those procedures described in the question paper should be attempted.

Supervisors must inform candidates that materials and apparatus used in the exam should be treated with caution. Suitable eye protection should be used where necessary.

Before the exam

- The packets containing the question papers must **not** be opened before the exam.
- It is assumed that standard school laboratory facilities, as indicated in the *Guide to Planning Practical Science*, will be available.
- Spare materials and apparatus for the tasks set must be available for candidates, if required.

During the exam

- It must be made clear to candidates at the start of the exam that they may request spare materials and apparatus for the tasks set.
- Where specified, the supervisor **must** perform the experiments and record the results as instructed. This must be done **out of sight** of the candidates, using the same materials and apparatus as the candidates.
- Any assistance provided to candidates must be recorded in the supervisor's report.
- If any materials or apparatus need to be replaced, for example, in the event of breakage or loss, this must be recorded in the supervisor's report.

After the exam

- The supervisor must complete a report for each practical session held and each laboratory used.
- Each packet of scripts returned to Cambridge International must contain the following items:
 - the scripts of the candidates specified on the bar code label provided
 - the supervisor's results relevant to these candidates
 - the supervisor's reports relevant to these candidates
 - seating plans for each practical session, referring to each candidate by candidate number
 - the attendance register.

Specific information for this practical exam

The supervisor must be a teacher of physics or other competent physicist who is familiar with the requirements of this syllabus. During the exam, the supervisor (**not** the invigilator) should obtain a sample set of numerical results by following the relevant steps in the question paper. The results should be clearly labelled 'supervisor's results' and recorded on the supervisor's report or on a spare copy of the question paper.

Organisation of the exam

- The number of sets of apparatus provided for each experiment should be $\frac{1}{2}N$, where N is the number of candidates taking the exam.
- Candidates must **not** be provided with any additional apparatus beyond that specified in these instructions.
- Candidates should be allowed access to the apparatus for each experiment for one hour only.
- After spending one hour on one experiment, candidates should change over to the other experiment.
- The order in which a candidate attempts the two experiments is immaterial.

Assistance to candidates

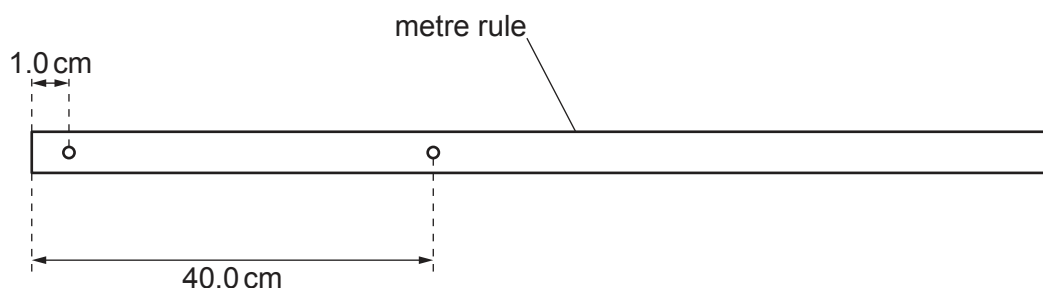
- Candidates should be informed that, if they find themselves in real difficulty, they may ask the supervisor for practical assistance, but that the extent of this assistance will be reported to the examiner, who may not award full credit for the relevant skills.
- Assistance should only be given when it is asked for by a candidate or where apparatus is seen to have developed a fault.
- Assistance should be restricted to enabling candidates to make observations and measurements. Observations and measurements must **not** be made for candidates, and no help should be given with data analysis or evaluation.
- In cases of faulty apparatus that prevent the required measurements from being taken, the supervisor should allow extra time to give the candidate a fair opportunity to perform the experiment as if the fault had not been present.
- Any assistance or extra time given to candidates must be recorded in the supervisor's report.

Materials and apparatus for Question 1 (per set of apparatus unless otherwise specified)

- Stand, boss and clamp. The stand should have a height of at least 65 cm.
- Two expendable springs, each with approximate outside diameter 15 mm, approximate coiled length 20 mm and approximate spring constant 25 Nm^{-1} (e.g. Philip Harris product code B8A41397). See Note 1.
- Two metre rules, each with a millimetre scale. See Note 1.
- String of diameter 1–2 mm. See Note 1 and Note 3.
- Weight of approximate mass 400 g, labelled W. See Note 1.
- 180° protractor with 1° divisions. See Note 2.
- Plumb-line of approximate length 12 cm with a bob of maximum mass 10 g. See Note 2.
- 100 g slotted mass. See Note 3.
- Rubber band of approximate circumference 5 cm. See Note 3.
- Triangular wooden or glass prism with height in the range 1–5 cm suitable for use as a pivot.

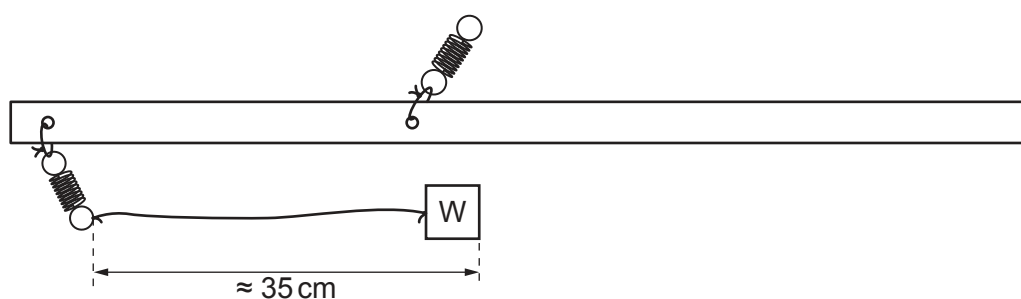
Notes

- 1 Two holes each of approximate diameter 4 mm should be drilled through one of the metre rules at the positions shown in Fig. 1.1.

**Fig. 1.1**

Use two string loops, each of approximate circumference 4 cm, to tie the two springs to the metre rule as shown in Fig. 1.2.

Tie the weight to the end spring so that the distance between the spring and the bottom of the weight is approximately 35 cm, as shown in Fig. 1.2.

**Fig. 1.2**

- 2 Drill a hole of approximate diameter 2 mm through the origin of the protractor.

Pass the free end of the plumb-line through the hole and tie a knot at its end to prevent the plumb-line from being pulled out.

Use transparent tape to attach the protractor to the edge of the metre rule in the position shown in Fig. 1.3.

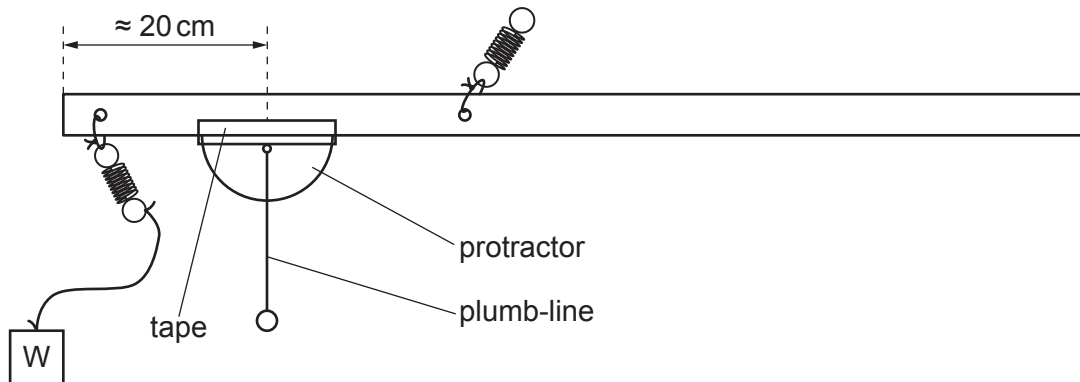


Fig. 1.3 (not to scale)

- 3 The 100 g mass should be tied securely to the rubber band using string, as shown in Fig. 1.4.

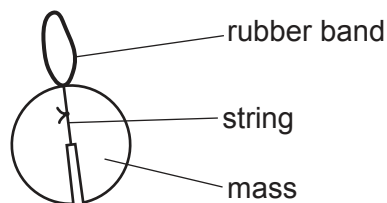


Fig. 1.4

- 4 The apparatus should be laid out on the bench. If the apparatus is to be used by another candidate, then it should be restored to its original state.

Permission to reproduce items where third-party owned material protected by copyright is included has been sought and cleared where possible. Every reasonable effort has been made by the publisher (UCLES) to trace copyright holders, but if any items requiring clearance have unwittingly been included, the publisher will be pleased to make amends at the earliest possible opportunity.

To avoid the issue of disclosure of answer-related information to candidates, all copyright acknowledgements are reproduced online in the Cambridge Assessment International Education Copyright Acknowledgements Booklet. This is produced for each series of examinations and is freely available to download at www.cambridgeinternational.org after the live examination series.

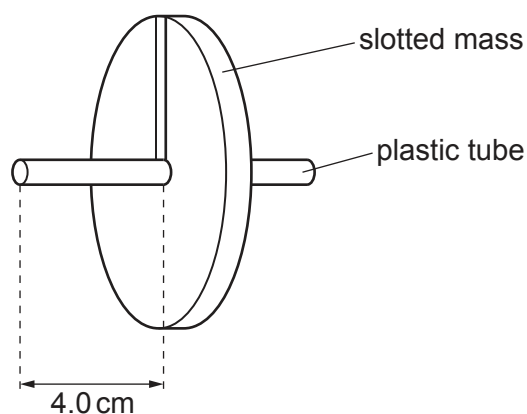
Cambridge Assessment International Education is part of Cambridge Assessment. Cambridge Assessment is the brand name of the University of Cambridge Local Examinations Syndicate (UCLES), which is a department of the University of Cambridge.

Materials and apparatus for Question 2 (per set of apparatus unless otherwise specified)

- Stand of height at least 60 cm.
- Boss and clamp.
- Bamboo knitting needle of approximate diameter 4 mm and minimum length 15 cm, with a knob at one end.
- Hard plastic cylindrical tube of approximate outside diameter 8 mm and approximate length 7 cm. The tube must be a loose fit on the knitting needle. (A section of a ballpoint pen case may be suitable.) See Note 1.
- 100 g slotted mass. See Note 1.
- String of length 110 cm with a loop of approximate circumference 2 cm at one end.
- 70 g of modelling clay (e.g. Plasticine).
- 100 g mass hanger.
- Stop-watch reading to 0.1 s or better.
- 30 cm ruler with a millimetre scale.
- 180° protractor with 1° divisions.

Notes

- 1 The tube should be pushed through the slotted mass as shown in Fig. 2.1.

**Fig. 2.1**

If the hole in the slotted mass is too small, the diameter of the hole should be increased using a suitable drill bit.

The slotted mass must fit securely on the plastic tube without rotation. Use glue if necessary to give a secure fit.

- 2 The apparatus should be laid out on the bench. If the apparatus is to be used by another candidate, then it should be restored to its original state.

Supervisor's report

Syllabus and component number

				/		
--	--	--	--	---	--	--

Centre number

--	--	--	--	--

Centre name

Time of the practical session

Laboratory name/number

Give details of any difficulties experienced by the centre or by candidates (include the relevant candidate names and candidate numbers).

You must include:

- any difficulties experienced by the centre in the preparation of materials
- any difficulties experienced by candidates, e.g. due to faulty materials or apparatus
- any specific assistance given to candidates.

Declaration

- 1 Each packet that I am returning to Cambridge International contains all of the following items:
 - the scripts of the candidates specified on the bar code label provided
 - the supervisor’s results relevant to these candidates
 - the supervisor’s reports relevant to these candidates
 - seating plans for each practical session, referring to each candidate by candidate number
 - the attendance register.
- 2 Where the practical exam has taken place in more than one practical session, I have clearly labelled the supervisor’s results, supervisor’s reports and seating plans with the time and laboratory name/number for each practical session.
- 3 I have included details of difficulties relating to each practical session experienced by the centre or by candidates.
- 4 I have reported any other adverse circumstances affecting candidates, e.g. illness, bereavement or temporary injury, directly to Cambridge International on a *special consideration form*.

Signed (supervisor)

Name (in block capitals)